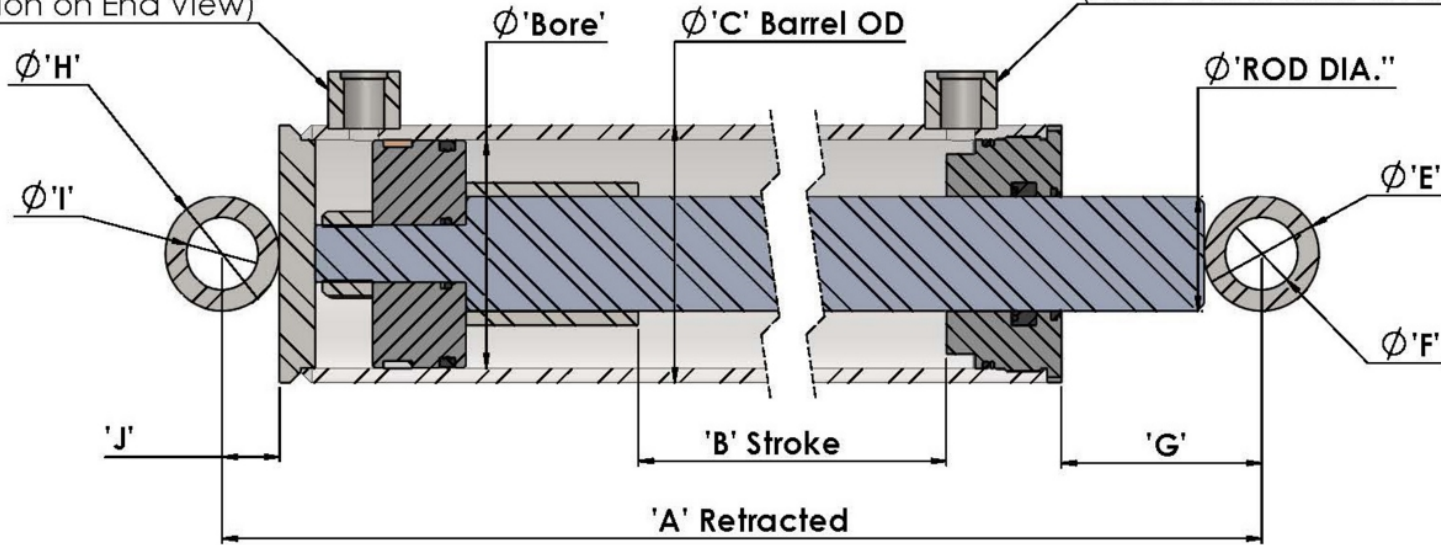


QUOTE REQUEST DIAGRAM

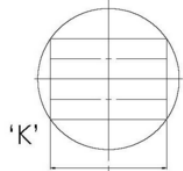
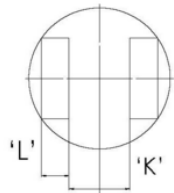
Extend Port
(Draw Orientation on End View)

Retract Port
(Draw Orientation on End View)



Rod End View

Fill In Appropriate
Mount Dimensions



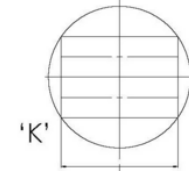
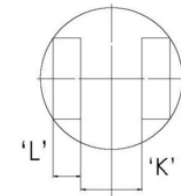
Draw Special Mount

Notes:

Use form on www.AllPhaseHydraulics.com to submit request.
or email directly to: orders@allphasehydraulics.com

Base End View

Fill In Appropriate
Mount Dimensions



Draw Special Mount